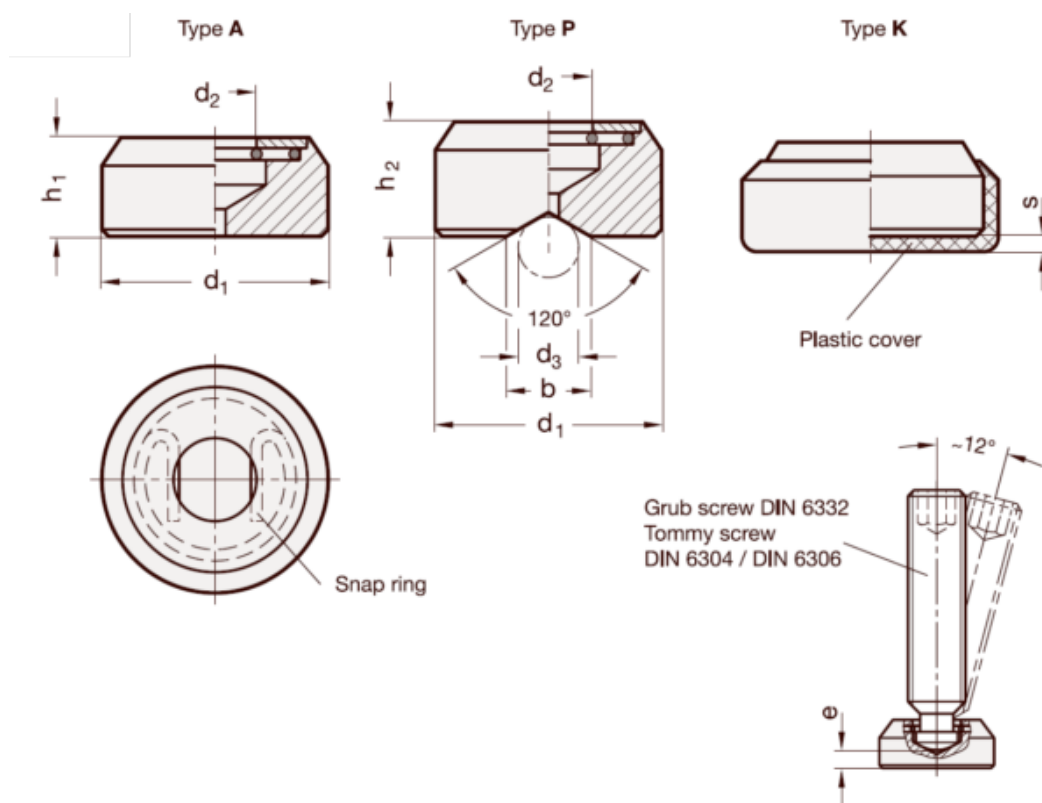


Article number: 20806311132P
 Description: E+G Thrust pad
 GN 6311.1-32-P

Measures



b = 22
 d1 = 32
 d2 = 12.5
 d3 = 44
 h2 = 18
 Thread = M16
 Type = Type P